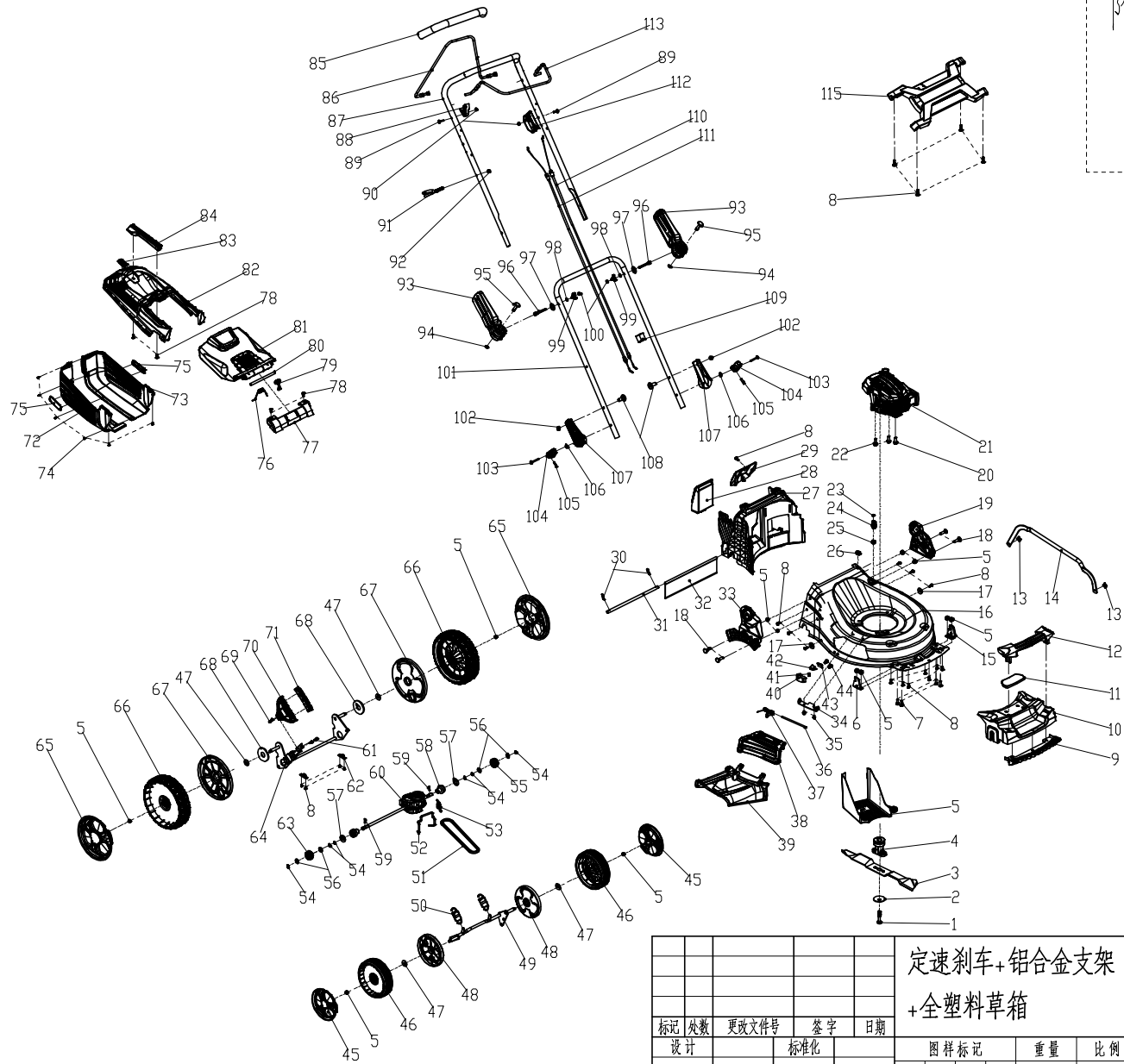
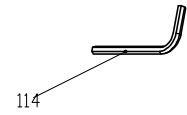


附件



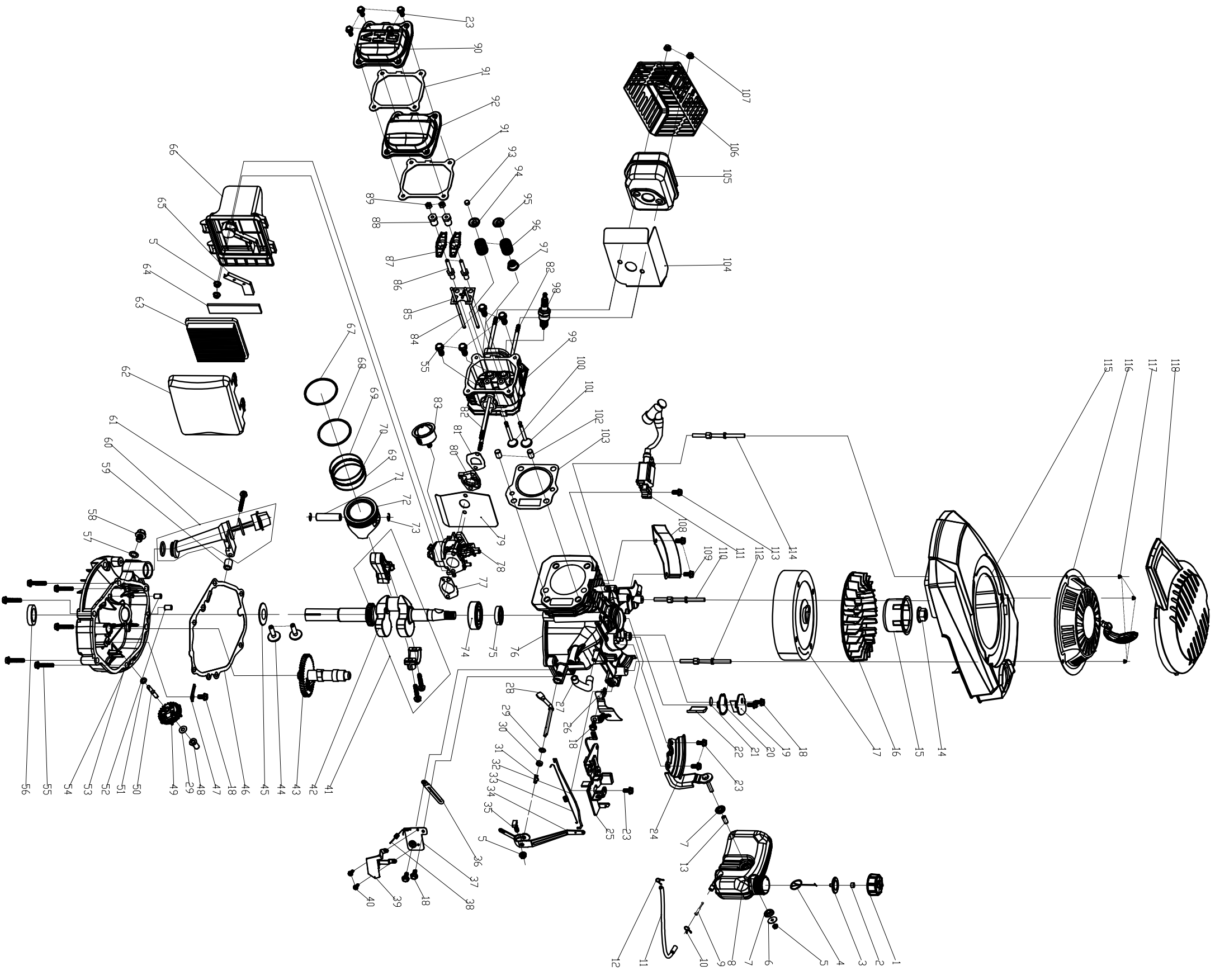
				定速刹车+铝合金支架			宁波市德霖机械有限公司		
				+全塑料草箱			S532VHY-T8		
标记	处数	更改文件号	签字	日期	图样标记	重量	比例		
设计			标准化				1:5		
审核					共 页	第 页			
工艺			日期						

**M 5340Pro-851830-S532VHY-T8-Part list-201811**

<b>Model: S532VHY-</b>			
	Material No.	English Description	Qty
1	60100020000	blade bolt	1
2	70040070000	blade washer	1
3	70130990000	The blade assembly	1
4	70140780000	Blade Adapter Assy	1
5	20660230000	belt cover	1
6	70070570130	Precursor Left bracket	1
7	60040020000	Half round head square neck bolts	4
8	60170290000	Phillips flat head self tapping screw	22
9	20200310000	deck front mask	1
10	20200300000	front mask	1
11	20200330000	Face twist before hand	1
12	20200320460	Face twist before hand	1
13	60240300000	Type D ring	2
14	70180390000	Height Adjustment Pull Rod	1
15	70070560130	Precursor Left bracket	1
16	70742060450	deck welding assy.	1
17	60200550000	flat Gasket	2
18	60040160000	Half round head square neck bolts	4
19	70080230290	Aluminum alloy stent under	1
20	60170010000	Hexagon China Division Head self tapping screw	1
21	79990620000	petrol engine	1
22	60170490000	Hexagon head self tapping screws	2
23	60370020000	"O" ring	1
24	20460010000	inlet	1
25	20460030000	inlet	1
26	20590020000	cable stopper	1
27	20400140000	rear baffle	1
28	20160190000	mulching plug	1
29	20400150000	rear baffle	1
30	60300030000	R type pin	2
31	70030840000	Shaft for rear discharge cover	1
32	20750210000	rubber dust proof board	1
33	70080240290	Aluminum alloy stent under	1
34	70060110130	Bracket plate for defelctor	1
35	60170580000	self tapping screw	2
36	70030820000	Mulch Shaft	1
37	60390250000	mulch board spring	1
38	20120110640	mulching board	1
39	20110150000	side discharge cover	1
40	20650200000	Fixed block holder	1
41	60380600000	Limit block spring	1
42	20490090000	The side row overlays the limit block	1
43	60200580000	The side row covers the fixed seat gasket	1
44	60170300000	Phillips flat head self tapping screw	2
45	20620300290	outer cover of hub	2
46	20880470640	wheel core	2
47	60180120000	Resilient washer	4
48	20610170000	inner cover of hub	2
49	70840310000	front drive assy.	1
50	60410660000	Precursor tension spring	2
51	60320100000	v belt	1
52	70050310000	Brake spring	1
53	60410560000	selfpropelled spring	1
54	60240060000	spring washer	6
55	70300200000	Ratchet Wheel L	1
56	21070030000	selfpropelled ratchet washer	4
57	60200110000	flat Gasket	2
58	20430030060	rear wheel axle sleeve	2
59	60290070000	bratchet pin	2
60	70860500000	selfpropelled assy.	1
61	60060530000	Bolt	2

62	70290350000	Rear plate	2
63	70300190000	Ratchet Wheel L	1
64	70850810000	rear drive assy.	1
65	20620290290	outer cover of hub	2
66	20880460640	wheel core	2
67	20610160000	inner cover of hub	2
68	60200560000	Gasket	2
69	60150170000	Hex flange lock nuts	2
70	20260240000	height adjustment handle	1
71	20550050640	Twist the lid	1
72	20100100000	bottom of grass box	1
73	20100090000	bottom of grass box	1
75	20060070640	air-out board of fabric grass bag cover	2
76	60380590000	cover spring	1
77	20390040000	rear discharge base	1
78	60170600000	Phillips flat head self tapping screw	4
79	60380580000	cover spring	1
80	70030830000	Shaft for rear discharge cover	1
81	20380100000	rear discharge cover	1
82	20080100640	top of grass box	1
83	20060060000	air-out board of fabric grass bag cover	1
84	20080110000	top of grass box	1
85	20340060130	foam pipe	1
86	70550074130	Self-propelled Lever	1
87	70500620031	upper handrail	1
88	20030030000	lever guard	1
89	60090250000	Round head Hexagon bolt	2
90	60150080000	Self-locking nut	2
91	70230090000	Rope Guide	1
92	60130020000	Cap nut	1
93	20580040640	quick fix knob	2
94	60240290000	washer	2
95	60300090000	type pin	2
96	70220020000	Quick Fix Handle	2
97	60190040000	Large flat washer	2
98	60200470000	flat Gasket	2
99	20040140640	triangle knob	2
100	60140080000	Hexagon nut	2
101	70520390130	lower handrail	1
102	60150020000	Hex lock nut	2
103	60090220000	Round head Hexagon bolt	2
104	70220140640	Aluminum alloy rapid wrench	2
105	70030850000	Rapid wrench rotation axis	2
106	60180130000	Resilient washer	2
107	70080250290	Aluminum alloy stent under	2
108	60090240000	Round head Hexagon bolt	2
109	20240020000	fastener	1
110	70810030000	brake cable	1
111	70780220000	selfpropelled cable	1
112	20650170000	control board upper cover	1
113	70540084640	stop lever	1
114	70090080000	internal hexagonal wrench	1
115	20650140000	control board upper cover	1

18加浓II汽油机定速带刹车新面罩爆炸图



18		定速刹车机		宁波宁德泵业机械有限公司	
标记	数量	分区	更改名称	姓名	年月日
设计			标准化		
校对			审定		
工艺			批准		
比例			1:1.5		
共 1 页			第 1 页		
版本			A0		

	Material Code	English	Qty
1	25170110000	fuel tank cap	1
2	80010070000	fuel tank cap sponge	1
3	60440340000	Fuel Tank Cap seal gasket	1
4	25250010000	connect cable of fuel cap	1
5	60140020000	Hex flange nuts	4
6	60190310000	The oil tank mount big washer	1
7	25310030000	Tank damping rubber pad	2
8	25180230000	fuel tank body	1
9	25150010000	Fuel oil screen pipe	1
10	60230020000	fuel pipe lock clamp I	1
11	25160020000	fuel pipe	1
12	60230010000	fuel pipe lock clamp II	1
13	60240250000	Fuel tank mounting bushing	1
14	60140050000	Hex flange nuts	1
15	75210020000	starter hub	1
16	25040120000	fan	1
17	75390030000	flywheel assy	1
18	60060520000	Bolt	6
19	75110010000	Respirator Cover Plate	1
20	75720160000	Respirator head gasket	1
21	75100030000	Respirator valve plate	1
22	75150010000	oil filter net	1
23	60060530000	Bolt	7
24	75330060000	main bracket of fuel tank	1
25	75380080000	detent assy.	1
26	75030070000	wind shield	1
27	25030020000	waste pipe	1
28	75290010000	rate-limiting rocker arm shaft	1
29	60200490000	Gasket	2
30	60360080000	oil seal	1
31	60300040000	R type pin	1
32	75160030000	Handspike of Valve	1
33	60410050000	valve spring	1
34	75070030000	throttle rocker arm	1
35	60060730000	bolt	1
36	60450010000	clip	1
37	75360010000	single phrase throttle assy.	1
38	60410500000	throttle control spring	1
39	71160010000	Single speed control panel	1
40	60060510000	Bolt	2
41	75460030000	connecting rod assy.	1
42	75510630000	crankshaft assy.	1
43	75470030000	camshaft assy.	1
44	75250020000	pin	2
45	60200180000	clockwise gear gasket	1
46	75720250000	Respirator head gasket	1
47	75280010000	rate-limiting gear shaft	1
48	25070010000	Sliding Sleeve	1
49	75520020000	rete-limiting gear assy.	1
50	75270030000	rate-limiting gear shaft	1

	Material Code	English	Qty
51	60200060000	Gasket	1
52	60280030000	spacing pin	1
53	75240150000	Crank box cover	1
54	60280050000	spacing pin	1
55	60050050000	locking bolt	10
56	60360100000	oil seal	1
57	60200150000	Oil drain bolt gasket	1
58	60061020000	Oil drain bolt	1
59	25080020000	Distance Sleeve of Lubricating Setting	1
60	25200050130	Lubricating Gauge Assy	1
61	60060630000	Bolt	1
62	25120010000	Air Filter Upper Cover	1
63	25300020000	Paper filter	1
64	25300010000	Coarse sponge filter	1
65	25020010000	Exhaust Gas Cover Board	1
66	25220010000	air filter base assy.(II)	1
67	75130110000	Piston Ring II	1
68	75130120000	Piston Ring II	1
69	75090050000	Guide Rail	2
70	75000060000	Bushing Ring	1
71	60310050000	piston pin	1
72	75120070000	Piston	1
73	60240110000	washer	2
74	60010140000	rolling bearing	1
75	60360120000	oil seal	1
76	75500150000	crankshaft box assy.	1
77	75730100000	Air filter paper pad	1
78	75410590000	Carburetor	1
79	75730060000	Intake pipe paper pad II	1
80	25090020000	Air Inlet Pipe	1
81	75730050000	Intake pipe paper pad I	1
82	60080030000	Dual-head bolts	4
83	25210020130	prime button II	1
84	75350040000	push rod	2
85	75260020000	push rod director plate	1
86	60060760000	valve rocker arm support bolts	2
87	75230010000	Rocker of Valve	2
88	60160050000	Valve adjustment nut	2
89	60160030000	And nuts	2
90	75080030000	cylinder head cover II	1
91	75720270000	Respirator head gasket	2
92	75080020000	cylinder head cover I	1
93	75200010000	Top Cover of Exhaust Valve	1
94	75180020000	Spring Coil of Exhaust Valve	1
95	75180010000	Spring Coil of Intake Valve	1
96	60380090000	valve spring	2
97	60360130000	oil seal assy	1
98	75140010000	spark plug	1
99	75490070000	cylinder head assy.	1
100	75190020000	Exhaust Valve	1

	Material Code	English	Qty
101	75170020000	IntakeValve	1
102	60280020000	spacing pin	2
103	75720110000	Cylinder head gasket	1
104	75740020000	Muffler insulating pad	1
105	75540150000	muffler assy.	1
106	75530030000	muffler cover assy.	1
107	60150100000	Self-locking nut	2
108	75030020000	wind shield	1
109	60060540000	Bolt	2
110	60080290000	Different-shaped double-head bolts II	1
111	75370020000	ignition assy.	1
112	60080210000	Dual-head bolts	1